

Installation Instructions



Warning, before installation you must ensure that the wall you are fixing to is free from any hidden electrical wire or pipe work. If in doubt consult with a qualified trades person. Installation of the shelf must be carried out by a competent person. For best results we strongly recommend that our shelves are fixed to a solid built wall (Brick or concrete).

Parts included;

x1 - Alcove Shelf



x1 - Shelf Supports



x2 - Side Supports



You will need;

Pencil



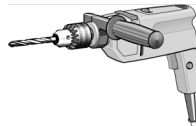
Tape Measure



Spirit Level



Power Drill



10mm Masonry Drill Bit



Hammer



10mm Hex Socket

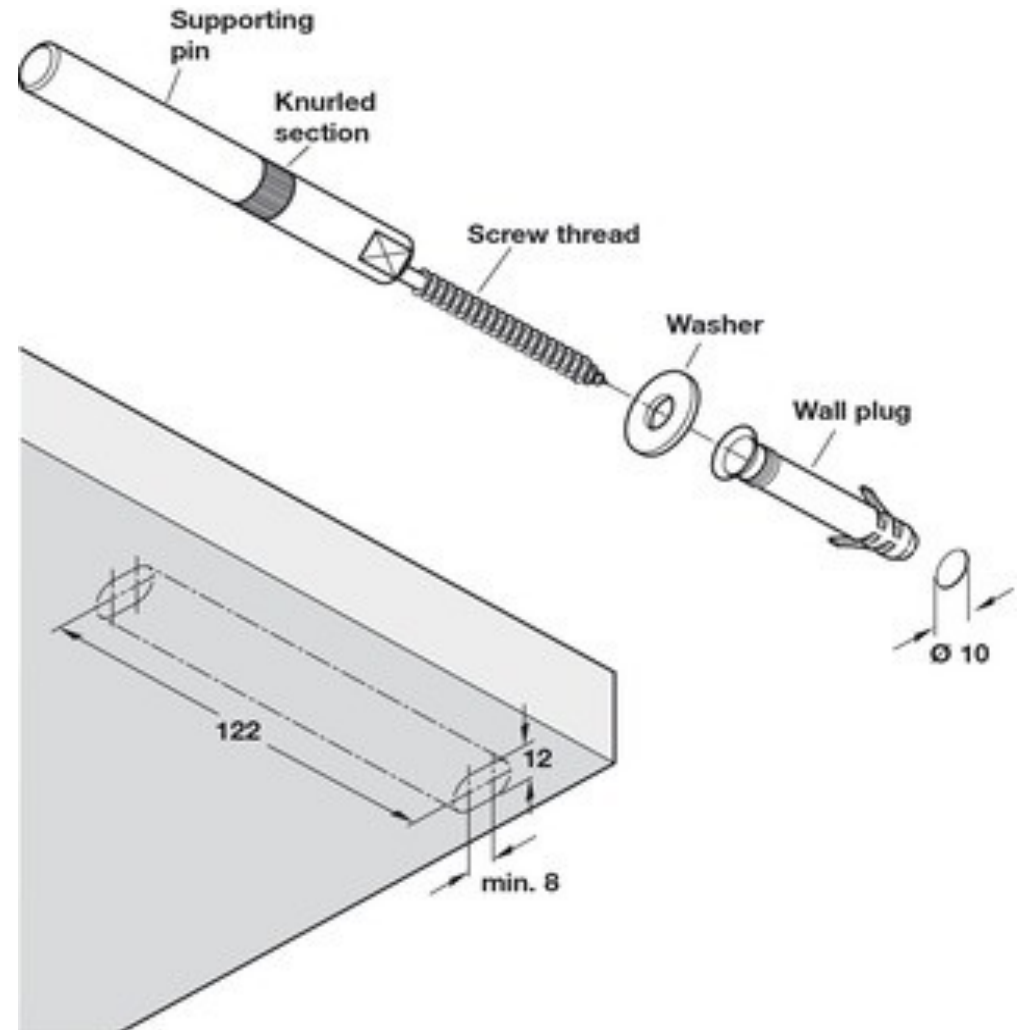


Adjustable Spanner



Installation

- 1) Draw a level line across all three wall and mark the rear hole positions for the shelf supports.
- 2) Drill the rear holes using a 10mm masonry drill bit. ensure the holes are deeper than the length of the support screw.
- 3) Knock the wall plugs into the holes finishing just under the surface of the wall.
- 4) Screw the shelf supports to the wall ensuring a strong hold.
- 5) Using suitable fixings, fit the side supports to the alcove side walls. The supports should be fixed to the centre of the marked lines and against the back wall.
- 6) The shelf can now be inserted into the side supports and rear support.
- 7) Secure the shelf to the wall by running a thin bead of clear silicon down the back edge and sides of the shelf.



ALCOVE INSTALLATION INSTRUCTIONS

