

Installation Instructions



Warning, before installation you must ensure that the wall you are fixing to is free from any hidden electrical wire or pipe work. If in doubt consult with a qualified trades person. Installation of the shelf must be carried out by a competent person. For best results we strongly recommend that our shelves are fixed to a solid built wall (Brick or concrete).

Parts included;

x1 - Floating Shelf



x2 - Shelf Supports



x4 - Coach Bolts



x4 - Wall Plugs



You will need;

Pencil



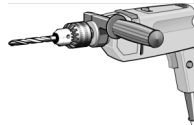
Tape Measure



Spirit Level



Power Drill



10mm Masonry Drill Bit



Hammer



10mm Hex Socket

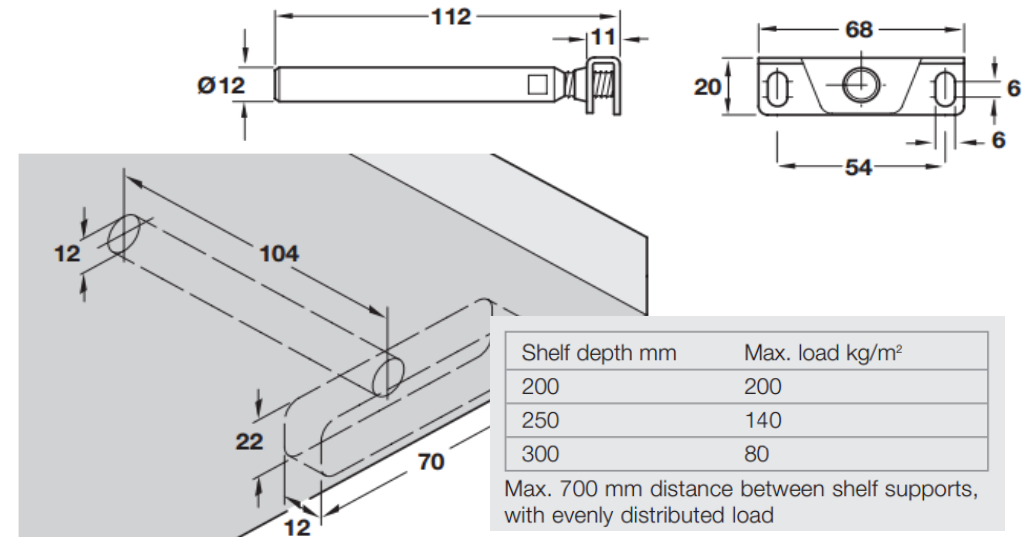


Adjustable Spanner

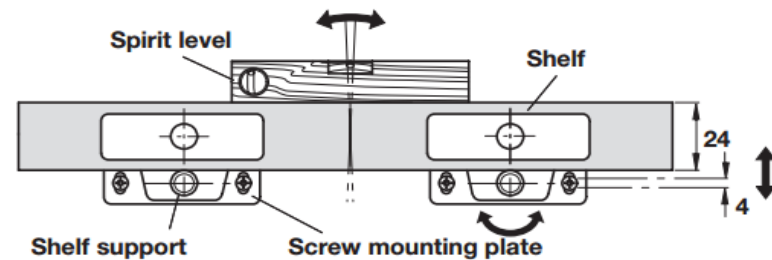


Installation

- 1) Place one shelf support in the desired location and mark the hole positions on the wall.
- 2) Draw a level line from the first hole positions, measure and mark the hole positions for the second shelf support.
- 3) Drill the holes using a 10mm masonry drill bit. ensure the holes are deeper than the length of the screws.
- 4) Knock the wall plugs into the holes finishing just under the surface of the wall.
- 5) Screw the shelf supports to the wall ensuring a strong hold. **PLEASE NOTE:** If fixing onto a dot dabbled plaster board wall, you will need to cut the plasterboard to the size of the bracket and pack out with timber finishing flush with the plasterboard.
- 6) The shelf can now be fitted to the supports and adjusted in the height and inclination as shown below ;
- 7) Once adjusted level, secure the shelf to the wall by running a thin bead of clear silicon down the back edge of the shelf.



Height and inclination adjustment possible as shown on the right



Inclination adjustment using an adjustable spanner on the supporting pin which presses against the back plate. Height adjustment via screw slots.

